

MYBO REVOLUTION SPECIFICATIONS MARCH 1ST 2021

REVOLUTION STANDARD SPECIFICATIONS

	REVOLUTION 40	REVOLUTION 37	REVOLUTION 34
Axle to Axle	40"	37"	34"
Brace Height	7.5"	7"	6.5"
Mass Weight	5 lbs	4.8 lbs	4.6 lbs
Cam	Revolu on	Revolu on	Revolu on
Let off	55-80%	55-80%	55-80%
Speed	310-315	320-325	330-335
Standard Max Draw Weights	40, 50, 60	40, 50, 60	40, 50, 60
Custom Max Draw Weights	35, 45, 55, 65	35, 45, 55, 65, 70	35, 45, 55, 65, 70
Poundage Reduc. on	6 Turns (-15%)	6 Turns (-15%)	6 Turns (-15%)
Base Cam R Combined Range	28.5"-32.5"	27.25"-31.25"	26"-30"
Module R3 (Included)	28.5"-30.5"	27.25"-29.25"	26"-28"
Module R2 (Included)	29.75"-31.75"	28.5"-30.5"	27.25"-29.25"
Module R1* (Sold Separately)	31.75"-32.5"	30.5"-31.25"	29.25"-30"
Base Cam M Combined Range	27"-29.75"	25.75"-28.5"	24.5"-27.25"
Module M3 (Included)	27"-28.75"	25.75"-27.5"	24.5"-26.25"
Module M2 (Included)	28"-29.75"	26.75"-28.5"	25.5"-27.25"
Base Cam S Combined Range	25"-28"	23.75"-26.75"	22.5"-25.5"
Module S3 (Included)	25"-27.25"	23.75"-26"	22.5"-24.75"
Module S2 (Included)	27"-28"	25.75"-26.75"	24.5"-25.5"

REVOLUTION DETAILED SPECIFICATION CHARTS BASE CAM 'R'

Base Cam 'R'	REVOLUTION 40	REVOLUTION 37	REVOLUTION 34	
Cam Combined Range	28.5"-32.5"	27.25"-31.25"	26"-30"	Note: Actual draw lengths may vary slightly depending on let-off, draw weight position and cam rotation. See the user guide for a detailed explanation of setting draw length and let-off.
Let Off Range	60%-80%	60%-80%	60%-80%	
R3 Module Range	28.5"-30.5"	27.25"-29.25"	26"-28"	
R2 Module Range	29.75"-31.75"	28.5"-30.5"	27.25"-29.25"	
R1 Module Range	31.75"-32.5"	30.5"-31.25"	29.25"-30"	
Axle to Axle	40"	37"	34"	
Brace Height	7 5/8"	7 1/8"	6 5/8"	

Base Cam Size	Module	Module Position	Stop Position at 75% let-off	REVOLUTION 40 Draw Length	REVOLUTION 37 Draw Length	REVOLUTION 34 Draw Length
R	R3	1	plus 1	28.50	27.25	26.00
R	R3	2	plus 2	28.75	27.50	26.25
R	R3	3	plus 2	29.00	27.75	26.50
R	R3	4	plus 2	29.25	28.00	26.75
R	R3	5	plus 2	29.50	28.25	27.00
R	R3	6	plus 2	29.75	28.50	27.25
R	R3	7	plus 2	30.00	28.75	27.50
R	R3	8	plus 2	30.25	29.00	27.75
R	R3	9	plus 1	30.50	29.25	28.00
R	R2	1	plus 4	29.75	28.50	27.25
R	R2	2	plus 3	30.08	28.83	27.58
R	R2	3	plus 3	30.42	29.17	27.92
R	R2	4	plus 3	30.75	29.50	28.25
R	R2	5	plus 2	31.08	29.83	28.58
R	R2	6	plus 2	31.42	30.17	28.92
R	R2	7	plus 1	31.75	30.50	29.25
R	R1*	1	plus 3	31.75	30.50	29.25
R	R1*	2	plus 2	32.15	30.90	29.65
R	R1*	3	plus 1	32.50	31.25	30.00

* Long draw module R1 purchased separately.

REVOLUTION DETAILED SPECIFICATION CHARTS BASE CAM 'M'

Base Cam 'M'	REVOLUTION 40	REVOLUTION 37	REVOLUTION 34	
Cam Combined Range	27"-29.75"	25.75"-28.5"	24.5"-27.25"	Note: Actual draw lengths may vary slightly depending on let-off, draw weight position and cam rotation. See the user guide for a detailed explanation of setting draw length and let-off.
Let Off Range	60%-80%	60%-80%	60%-80%	
M3 Module Range	27"-28.75"	25.75"-27.5"	24.5"-26.25"	
M2 Module Range	28"-29.75"	26.75"-28.5"	25.5"-27.25"	
Axle to Axle	40"	37"	34"	
Brace Height	7 3/8"	6 7/8"	6 3/8"	

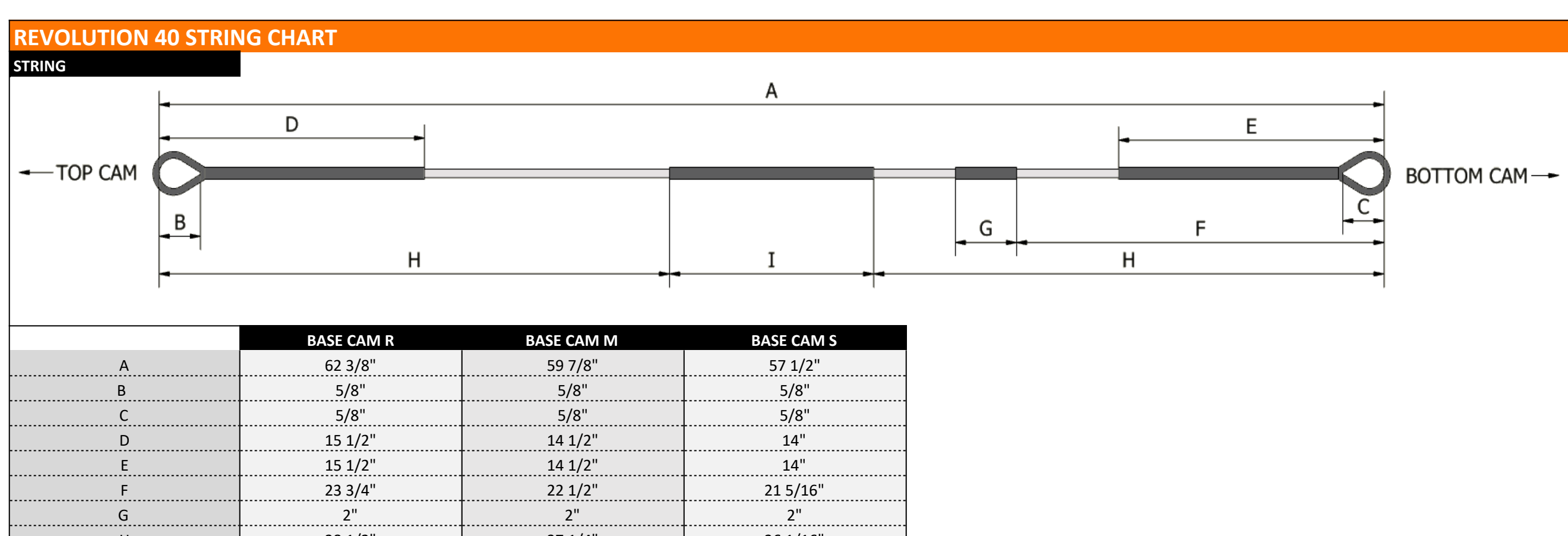
Base Cam Size	Module	Module Position	Stop Position at 75% let-off	REVOLUTION 40 Draw Length	REVOLUTION 37 Draw Length	REVOLUTION 34 Draw Length
M	M3	1	plus 1	27	25.75	24.5
M	M3	2	plus 1	27.25	26	24.75
M	M3	3	plus 1	27.5	26.25	25
M	M3	4	plus 2	27.75	26.5	25.25
M	M3	5	plus 2	28	26.75	25.5
M	M3	6	plus 2	28.25	27	25.75
M	M3	7	plus 2	28.5	27.25	26
M	M3	8	plus 1	28.75	27.5	26.25
M	M3	9	plus 1	29	27.75	26.5
M	M2	1	plus 4	28	26.75	25.5
M	M2	2	plus 3	28.25	27	25.75
M	M2	3	plus 4	28.5	27.25	26
M	M2	4	plus 3	28.75	27.5	26.25
M	M2	5	plus 3	29	27.75	26.5
M	M2	6	plus 2	29.25	28	26.75
M	M2	7	plus 2	29.5	28.25	27
M	M2	8	plus 1	29.75	28.5	27.25

REVOLUTION DETAILED SPECIFICATION CHARTS BASE CAM 'S'

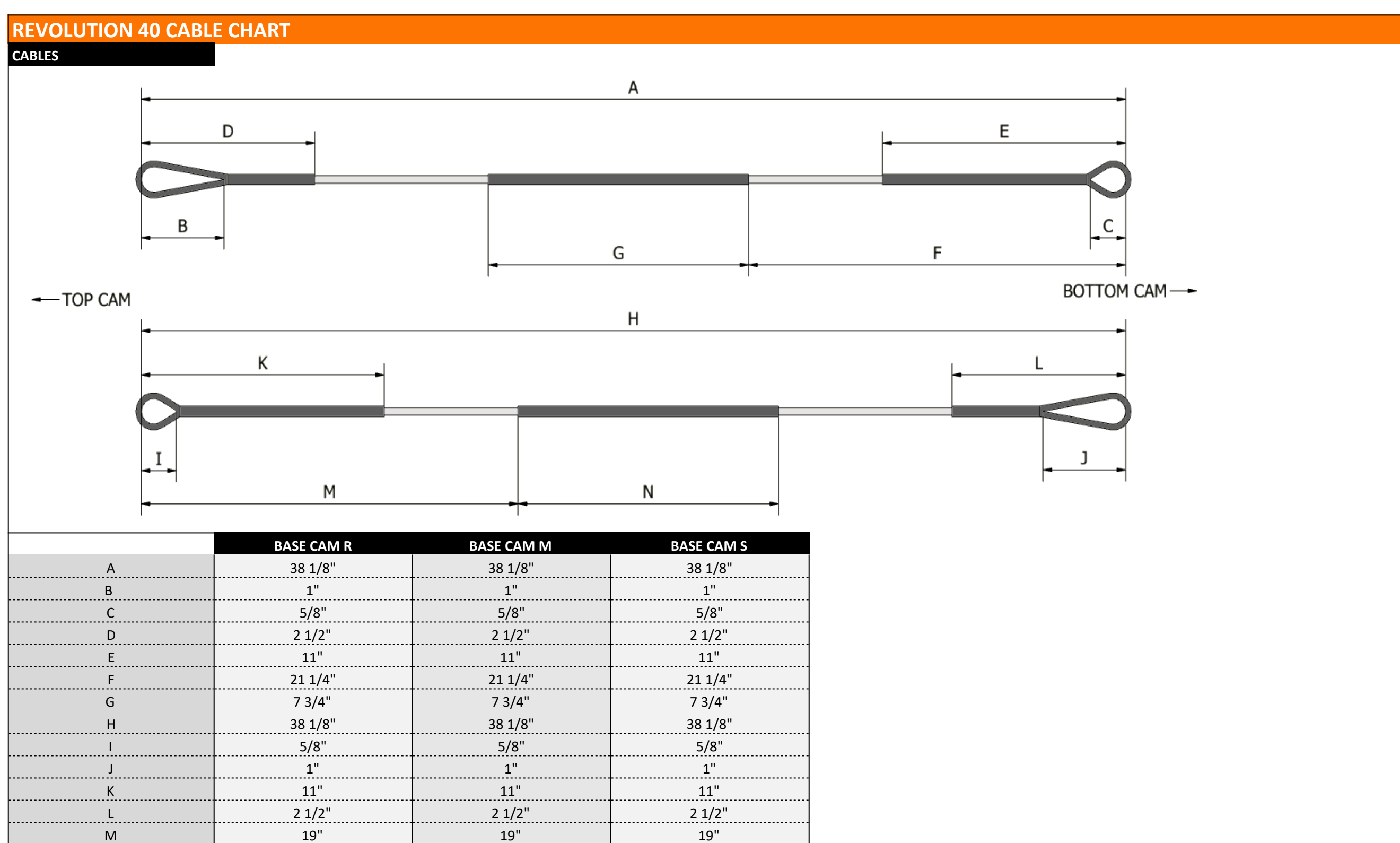
Base Cam 'S'	REVOLUTION 40	REVOLUTION 37	REVOLUTION 34	
Cam Combined Range	25"-28"	23.75"-26.75"	22.5"-25.5"	Note: Actual draw lengths may vary slightly depending on let-off, draw weight position and cam rotation. See the user guide for a detailed explanation of setting draw length and let-off.
Let Off Range	60%-80%	60%-80%	60%-80%	
S3 Module Range	25"-27.25"	23.75"-26"	22.5"-24.75"	
S2 Module Range	27"-28"	25.75"-26.75"	24.5"-25.5"	
Axle to Axle	40"	37"	34"	
Brace Height	7 1/8"	6 5/8"	6 1/8"	

Base Cam Size	Module	Module Position	Stop Position at 75% let-off	REVOLUTION 40 Draw Length	REVOLUTION 37 Draw Length	REVOLUTION 34 Draw Length
S	S3	1	plus 0	25.00	23.75	22.50
S	S3	2	plus 1	25.25	24.00	22.75
S	S3	3	plus 1	25.50	24.25	23.00
S	S3	4	plus 2	25.75	24.50	23.25
S	S3	5	plus 2	26.00	24.75	23.50
S	S3	6	plus 2	26.25	25.00	23.75
S	S3	7	plus 2	26.50	25.25	24.00
S	S3	8	plus 1	26.75	25.50	24.25
S	S3	9	plus 1	27.00	25.75	24.50
S	S3	10	plus 1	27.25	26.00	24.75
S	S2	1	plus 3	27	25.75	24.50
S	S2	2	plus 3	27.25	26	24.75
S	S2	3	plus 2	27.5	26.25	25.00
S	S2	4	plus 2	27.75	26.5	25.25
S	S2	5	plus 1	28	26.75	25.50

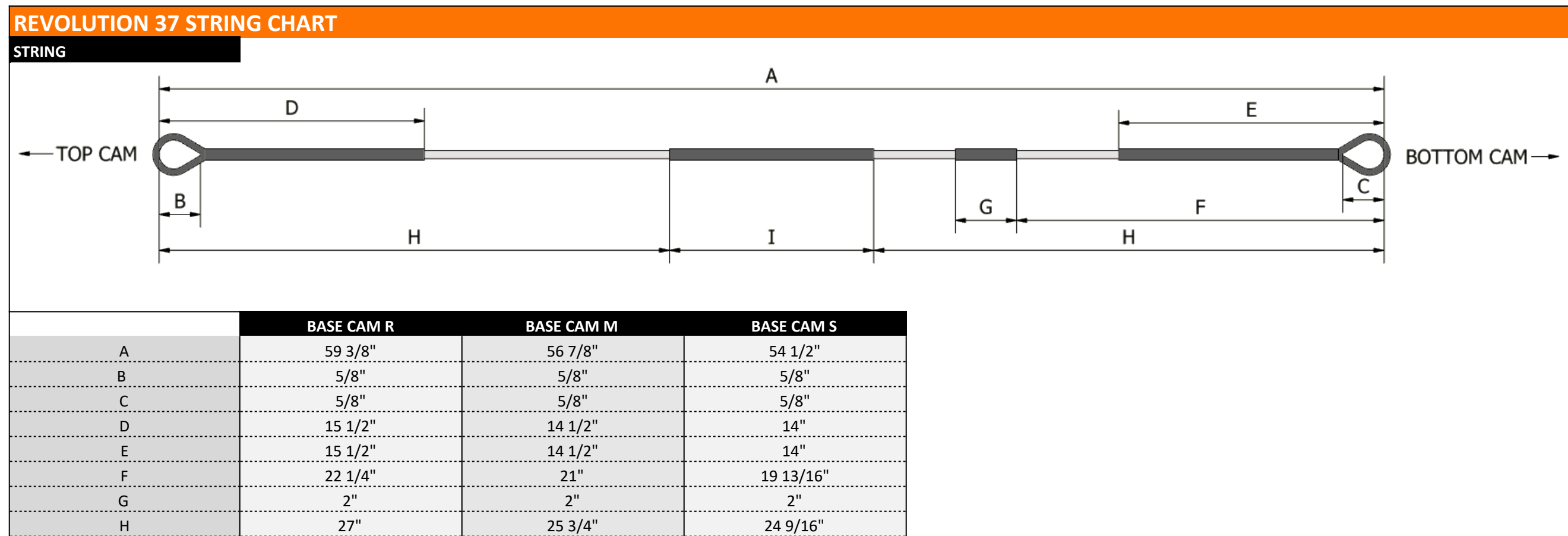
REVOLUTION 40 STRING CHART



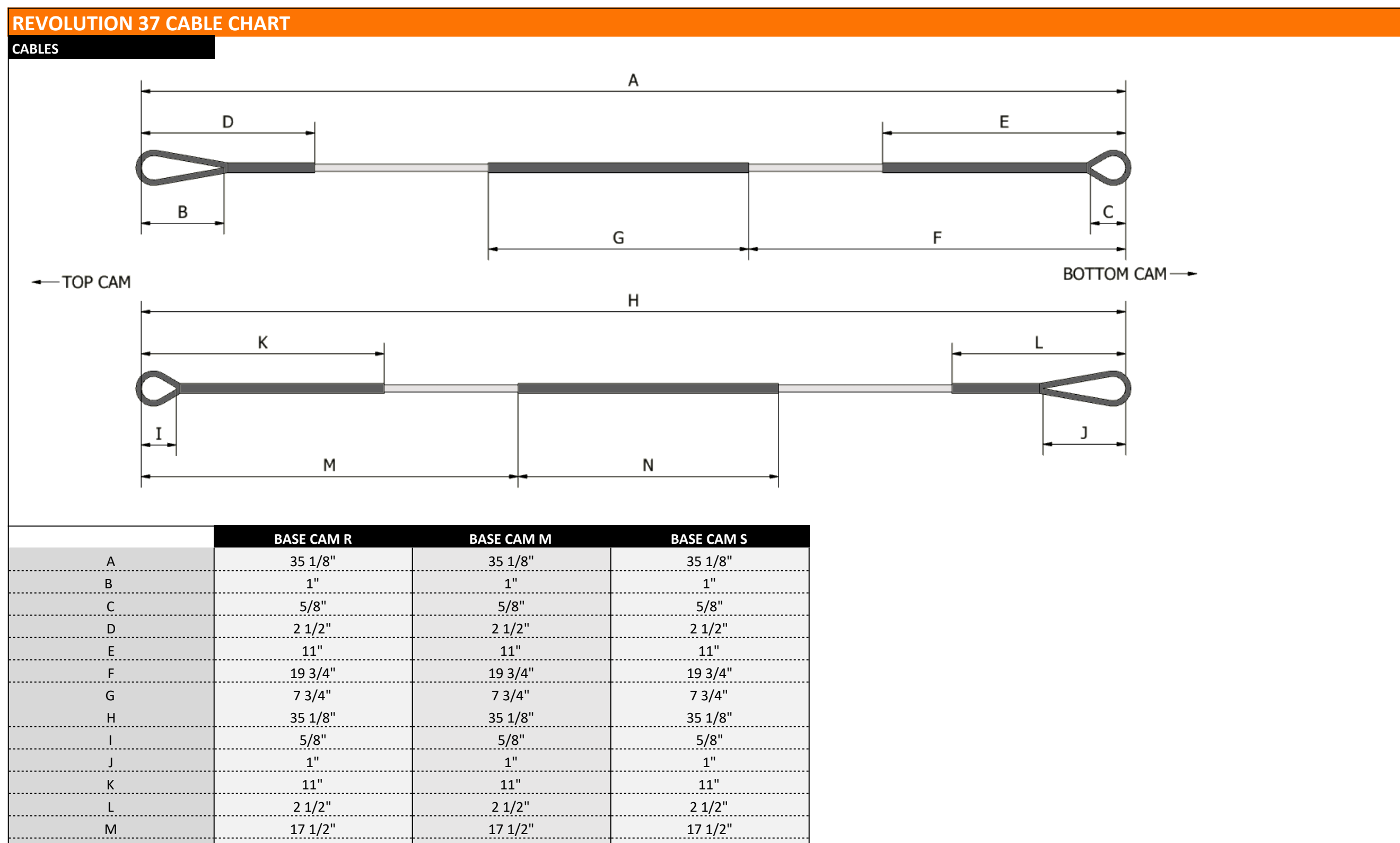
REVOLUTION 40 CABLE CHART



REVOLUTION 37 STRING CHART



REVOLUTION 37 CABLE CHART



REVOLUTION HARNESS CHART (ALL MODELS)

